

The units enable the reduction of horizontal width by using cross-over cabling with ROBONET, making smaller control panels possible.



Unit multiplexing set

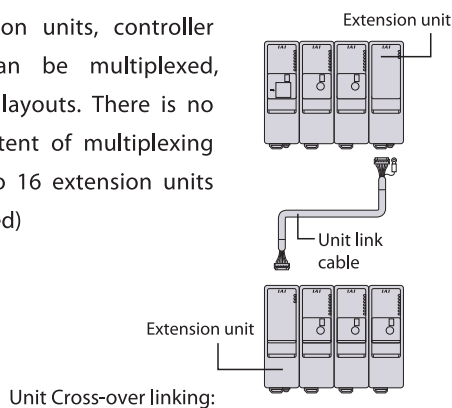
Models/Standard pricing:

REXT-SIO

- Set description:
- ROBONET extension units (Model REXT), 1
 - Unit link cable (Model CB-REXT-SIO010), 1

The units can be cross-over-cabled while the main ROBONET unit is connected

With 2 extension units, controller connections can be multiplexed, enabling more layouts. There is no limit to the extent of multiplexing possible. (Up to 16 extension units can be connected)



Controller connection set

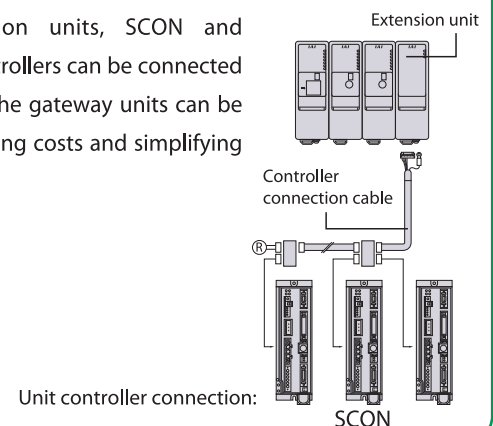
Models/Standard pricing:

REXT-CTL

- Set description:
- ROBONET extension units (Model REXT), 1
 - Controller connection cable (Model CB-REXT-CTL010), 1

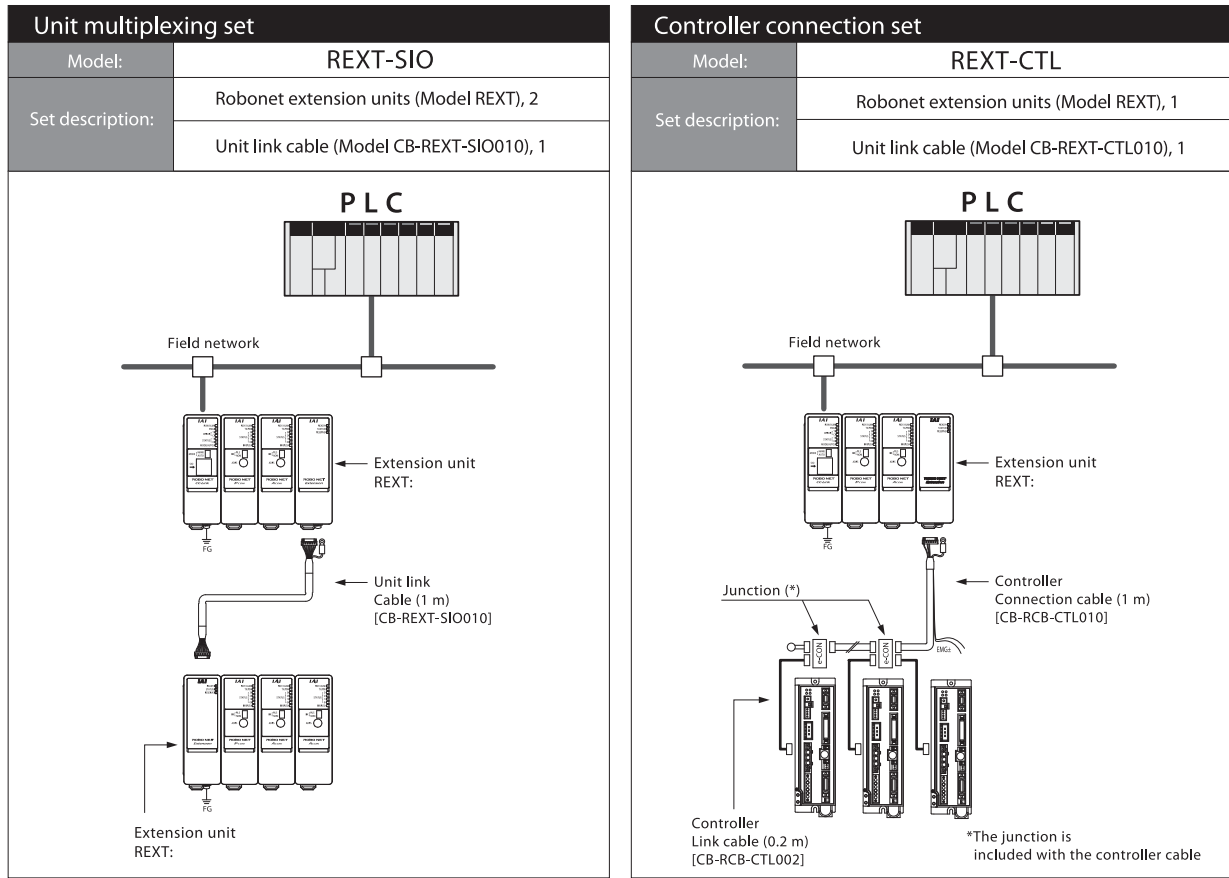
Unit controllers can be connected to ROBONET

With extension units, SCON and PCON-CF controllers can be connected to Robonet. The gateway units can be shared, reducing costs and simplifying settings.

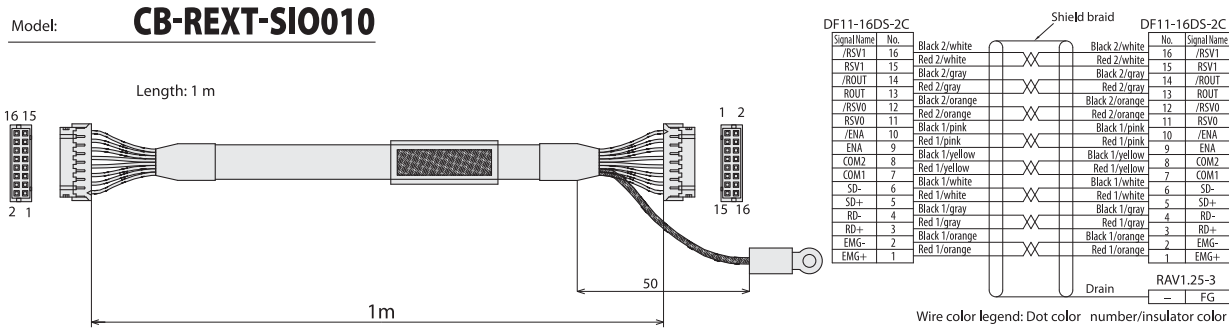


ROBONET EXTENSION UNIT

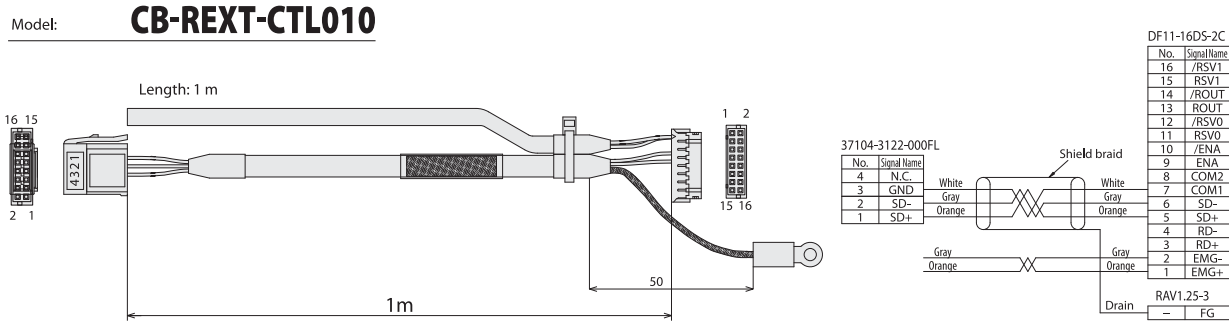
The Robonet extension unit (option) makes it possible to cross-over-cable units when many Robonet units are connected and horizontal width is considerable. Unit controllers like SCON, etc. can be connected to a network, the same as Robonet.



Unit link cable for extension unit



Controller connection cable for extension unit



IAI America, Inc.

Headquarters: 2690 W. 237th Street Torrance, CA 90505 (800) 736-1712
 Chicago Office: 1261 Hamilton Parkway Itasca, IL 60143 (800) 944-0333
 Atlanta Office: 1220 Kennestone Circle, Suite E Marietta, GA 30066 (888) 354-9470

IAI Industrieroboter GmbH IAI (Shanghai) co., Ltd.

www.intelligentactuator.com

Subject matter in this catalog may change without notice due to product improvements.

