

ROBO Cylinder Teaching Pendant **CON-PT**

**ROBO
CYLINDER**

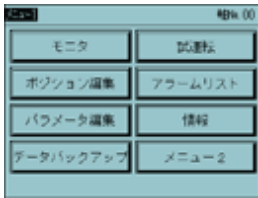


CON-PT

ROBO Cylinder Teaching Pendant



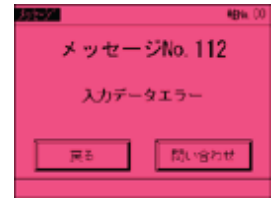
- With the addition of an interactive touch panel, the CON-PT touch panel teaching pendant allows for easy configuration and use even for the first time user. The new larger display is able to show all the position information on one screen, making editing position data easy.



Large, easy to read display



Easy configuration with the touch panel



Backlight changes when errors occur

- The CON-PT is compatible with all ROBO Cylinder SEP and CON controllers

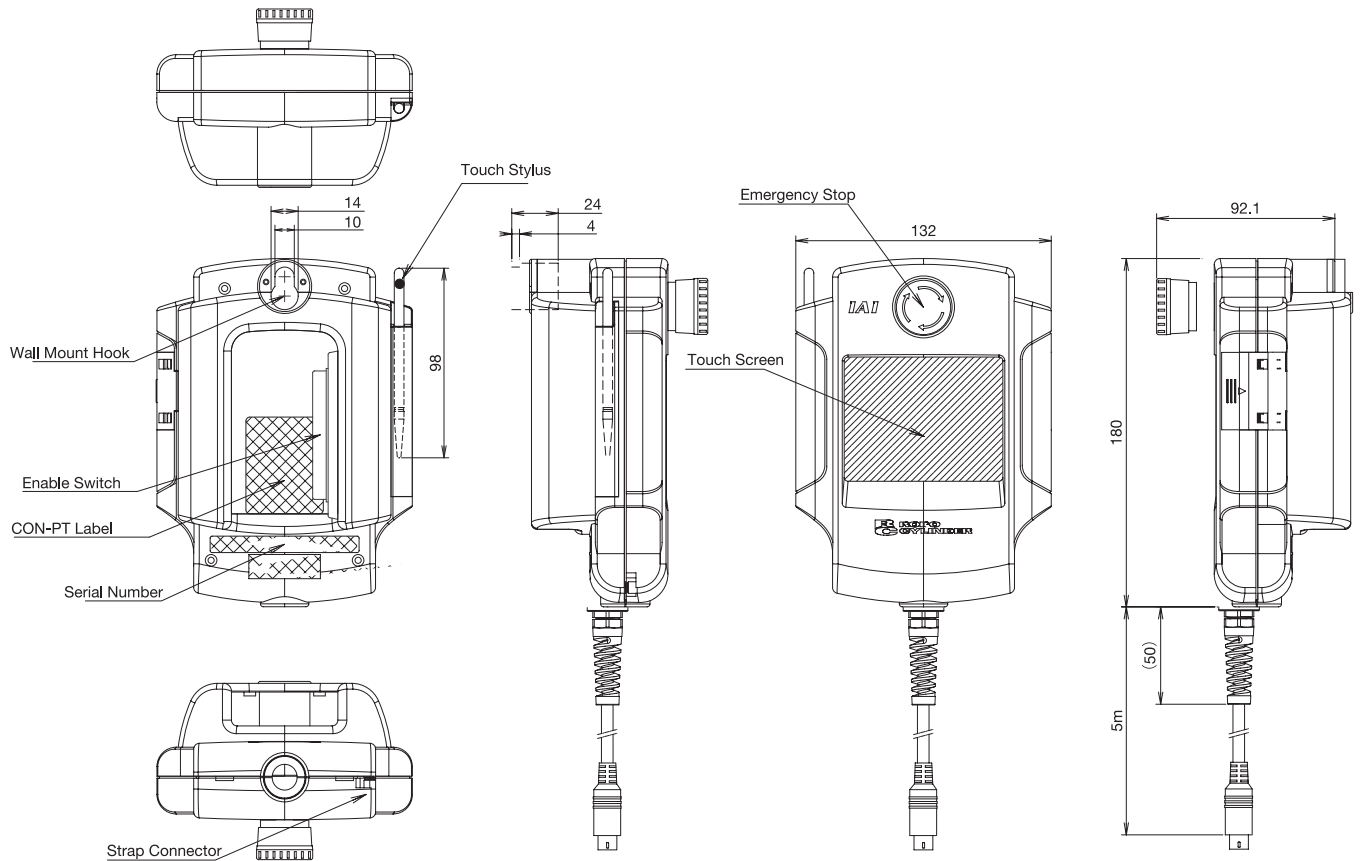
Model	CON-PT-M-ENG	CON-PD-M-ENG	CON-PG-M-S-ENG
Type	Standard Type	Enable Switch Type	Global Safety Category Type
Compatible Controllers	PSEP/PCON/RPCON ASEP/ACON/RACON SCON/ERC2*		
3 position enable switch	N/A	Yes	Yes
Functions	Position data entry/editing Move function (Move to position, Jog function, Inching function) Input/output signal monitoring and testing Parameter editing Password protection		
Display	3 color LED backlight		
Ambient Temp/Humidity	Temp: 0~50 °C Humidity: 20~85% RH or less (No condensation)		
Protective Structure	IP40		
Weight	750g	780g	780g
Accessories	Stylus	Stylus	TP Adapter (Model: RCB-LB-TG) Dummy Plug (Model: DP-4) Controller Cable (Model: CB-CON-LB005) Stylus

CON-PT

ROBO Cylinder Teaching Pendant



External Drawing



Option

Strap - Model: STR-1





IAI America, Inc

U.S. Headquarters: 2690 W. 237th Street Torrance, CA 90505 (800) 736-1712

Chicago Office: 1261 Hamilton Parkway Itasca, IL 60143 (800) 944-0333

Atlanta Office: 1220 Kennestone Circle, Suite E Marietta, GA 30066 (888) 354-9470

